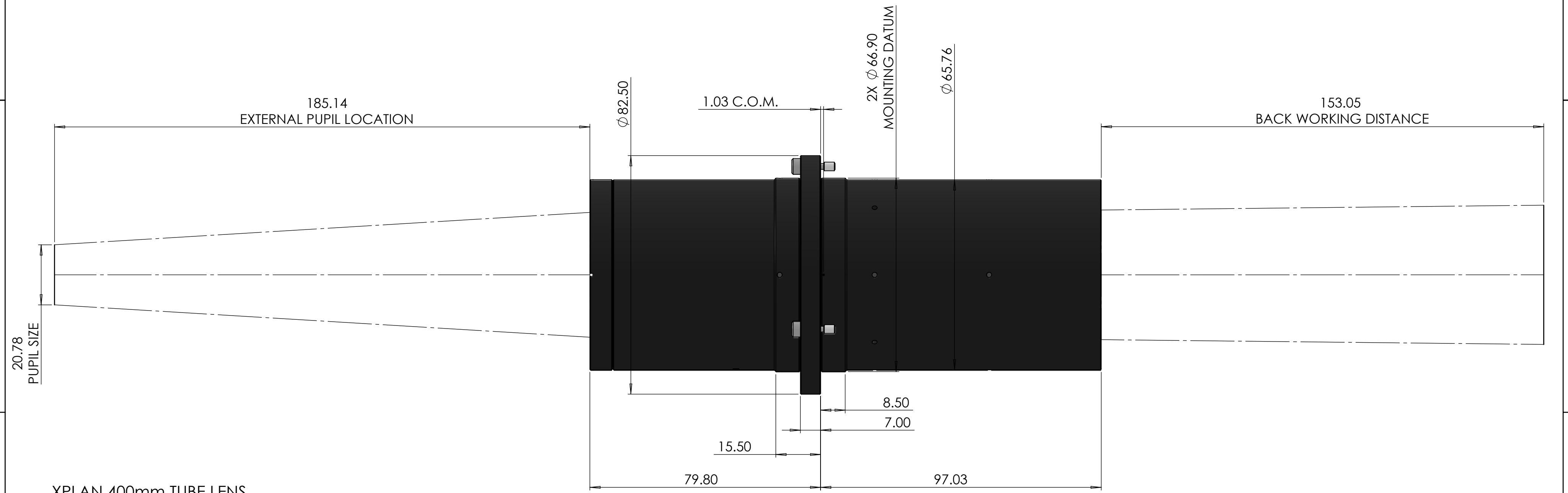
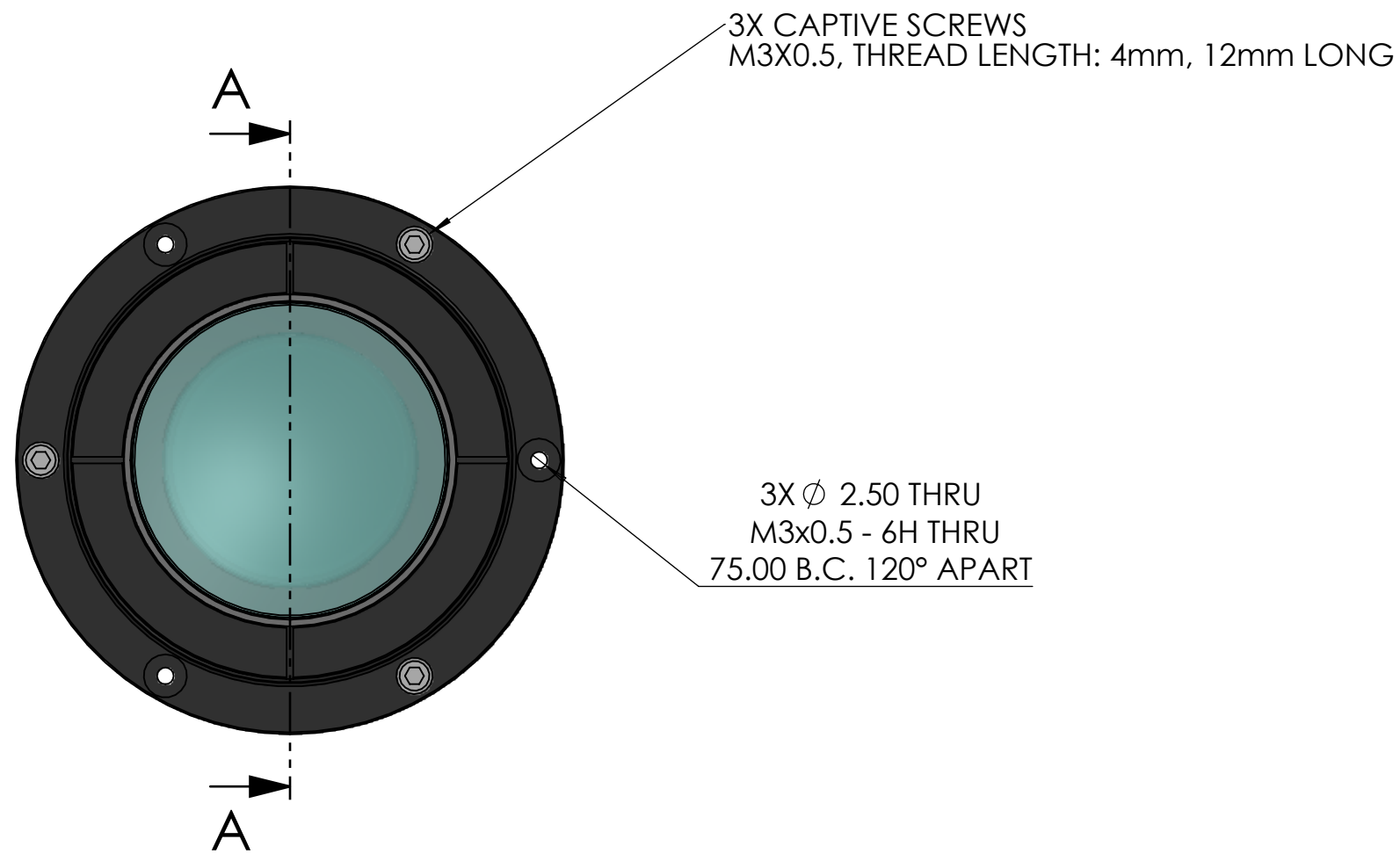


REV.	DESCRIPTION	DATE	APPROVED
1	RELEASE	1/15/2024	JW



XPLAN 400mm TUBE LENS  
 APS-C" SENSOR COMPATIBLE  
 MAX FOV: 48.4mm  
 FOCAL LENGTH: 400mm  
 MASS: 775g  
 WAVELENGTH CORRECTION: 438-790nm  
 BACK WORKING DISTANCE: 153.05mm  
 TRANSMISSION: >93% @633nm  
 DISTANCE FROM OBJECTIVE: UP TO 150mm

**FOR INFORMATION ONLY**

UNLESS OTHERWISE SPECIFIED  
 DIMENSIONS ARE IN MILLIMETERS  
 TOLERANCES ARE:  
 FILLET RADIUS: 0.5 MAX  
 BREAK SHARP EDGES: 0.13 MAX  
 X. ±0.8 1.6 MAX  
 X.X ±0.25  
 X.XX ±0.13 ANGLES ± 1°  
 INTERPRET DIMENSIONS AND  
 TOLERANCES PER ASME Y14.5M-2009  

 THIRD ANGLE PROJECTION

THIS DOCUMENT CONTAINS PROPRIETARY INFORMATION OF IDEX H&S AND IS TENDERED SUBJECT TO THE CONDITIONS THAT THE INFORMATION (A) BE RETAINED IN CONFIDENCE, (B) NOT BE REPRODUCED OR COPIED IN WHOLE OR PART, (C) NOT BE LEASED TO A THIRD PARTY, (D) NOT BE USED OR INCORPORATED IN ANY PRODUCT, EXCEPT UNDER EXPRESS WRITTEN AGREEMENT WITH IDEX H&S.

INFORMATION CONTAINED HEREIN IS CLASSIFIED AS UNDER EXPORT ADMINISTRATION REGULATIONS (15 CFR 730.774) ISSUED BY U.S. DEPARTMENT OF COMMERCE. AN EXPORT LICENSE ISSUED BY U.S. DEPARTMENT OF COMMERCE OR EAR EXCEPTION MAY BE REQUIRED PRIOR TO EXPORT OR TRANSFER OF THIS INFORMATION TO CERTAIN PARTIES OR END-USERS DIVERSION, CONTRARY TO U.S. LAW IS PROHIBITED.

APPROVALS	DATE	DESCRIPTION	
DRAWN Williamson, Jesse	08/08/2024	SIZE C	DWG. NO. 065850 OUTLINE
CHECKED	--	SCALE: 1:1	PROJ. NO.
PROJ. ENG.	--	REV 1	
MFG ENG.	--	SHEET 1 OF 1	

HEALTH & SCIENCE | IDEX  
 MELLESGRIOT