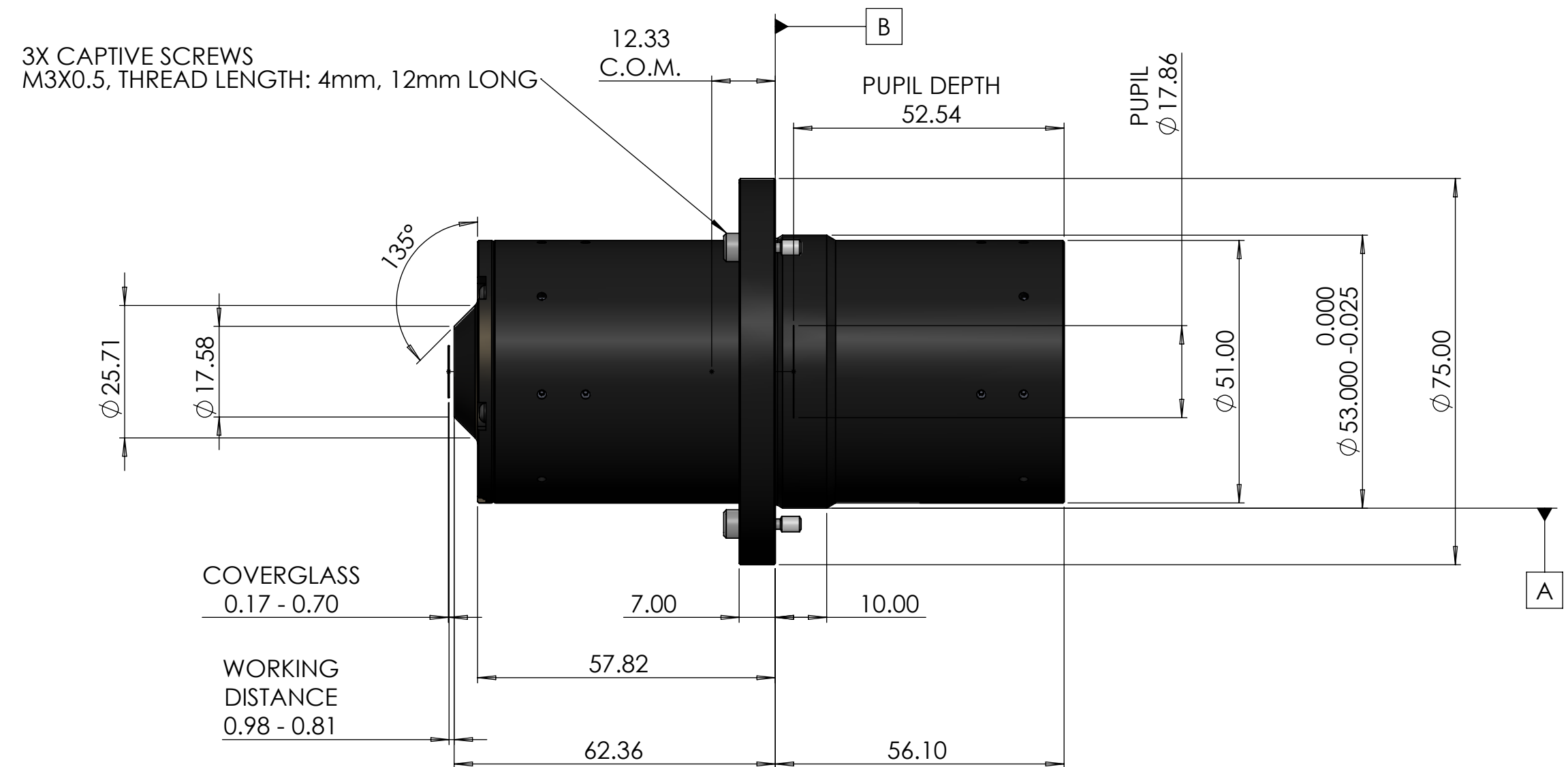
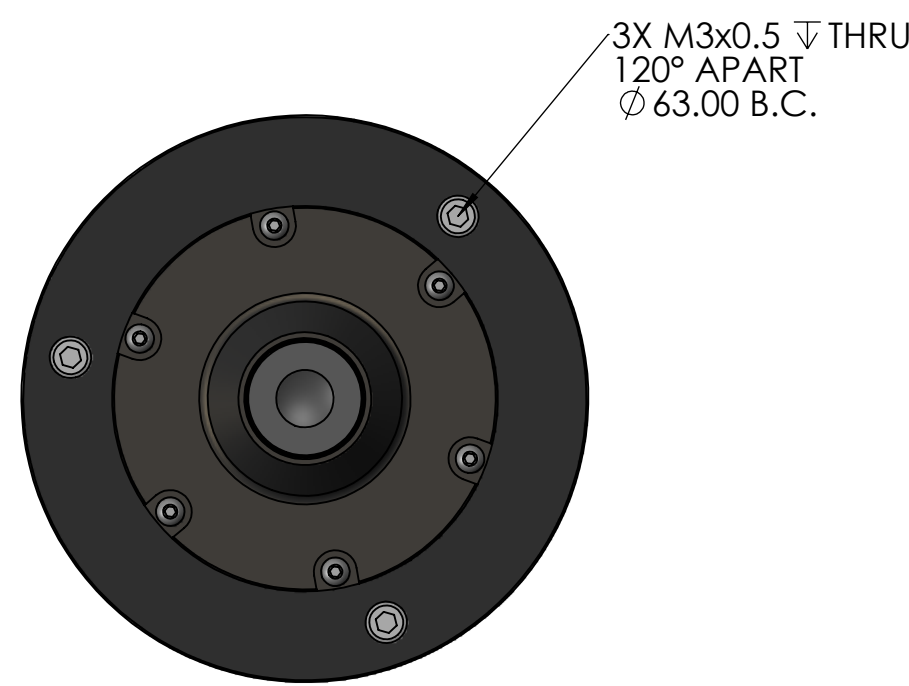


REV.	DESCRIPTION	DATE	APPROVED
1	RELEASE	1/15/2024	JW



XPLAN 0.88NA OBJECTIVE  
 MAX FOV: 1.21mm  
 FOCAL LENGTH: 10.03mm  
 MASS: 722g  
 CORRECTED WAVELENGTHS: 458-729nm  
 MAX DISTORTION: 0.1% WHEN PAIRED WITH XPLAN TUBE LENS  
 TRANSMISSION: >76.7% @633nm  
 W.D. & C.G.: SEE COVERGLASS TABLE  
 INQUIRE WITH SALES CONTACT FOR CUSTOMIZATION

COVERGLASS THICKNESS (mm)	WORKING DISTANCE (mm)
0.17	0.98
0.3	0.94
0.5	0.88
0.7	0.81

**FOR INFORMATION ONLY**

UNLESS OTHERWISE SPECIFIED  
 DIMENSIONS ARE IN MILLIMETERS  
 TOLERANCES ARE:  
 FILLET RADIUS: 0.5 MAX  
 BREAK SHARP EDGES: 0.13 MAX  
 X. ±0.8 1.6 MAX  
 X.X ±0.25  
 X.XX ±0.13 ANGLES ± 1°  
 INTERPRET DIMENSIONS AND  
 TOLERANCES PER ASME Y14.5M-2009  
 THIRD ANGLE PROJECTION

THIS DOCUMENT CONTAINS PROPRIETARY INFORMATION OF IDEX H&S AND IS TENDERED SUBJECT TO THE CONDITIONS THAT THE INFORMATION (A) BE RETAINED IN CONFIDENCE, (B) NOT BE REPRODUCED OR COPIED IN WHOLE OR PART, (C) NOT BE LEASED TO A THIRD PARTY, (D) NOT BE USED OR INCORPORATED IN ANY PRODUCT, EXCEPT UNDER EXPRESS WRITTEN AGREEMENT WITH IDEX H&S.

INFORMATION CONTAINED HEREIN IS CLASSIFIED AS UNDER EXPORT ADMINISTRATION REGULATIONS (15 CFR 8730-774) ISSUED BY U.S. DEPARTMENT OF COMMERCE. AN EXPORT LICENSE ISSUED BY U.S. DEPARTMENT OF COMMERCE OR EAR EXCEPTION MAY BE REQUIRED PRIOR TO EXPORT OR TRANSFER OF THIS INFORMATION TO CERTAIN PARTIES OR END-USERS DIVERSION, CONTRARY TO U.S. LAW IS PROHIBITED.

APPROVALS	DATE	
DRAWN Williamson, Jesse	04/17/2024	
CHECKED	--	DESCRIPTION OBJECTIVE, 0.88NA, OUTLINE
PROJ. ENG.	--	SIZE DWG. NO. C 65500 OUTLINE
MFG. ENG.	--	SCALE: 1:1 PROJ. NO. REV 1

SHEET 1 OF 1