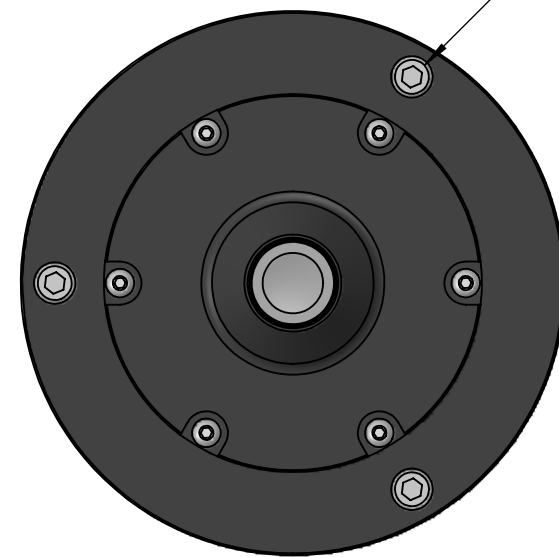
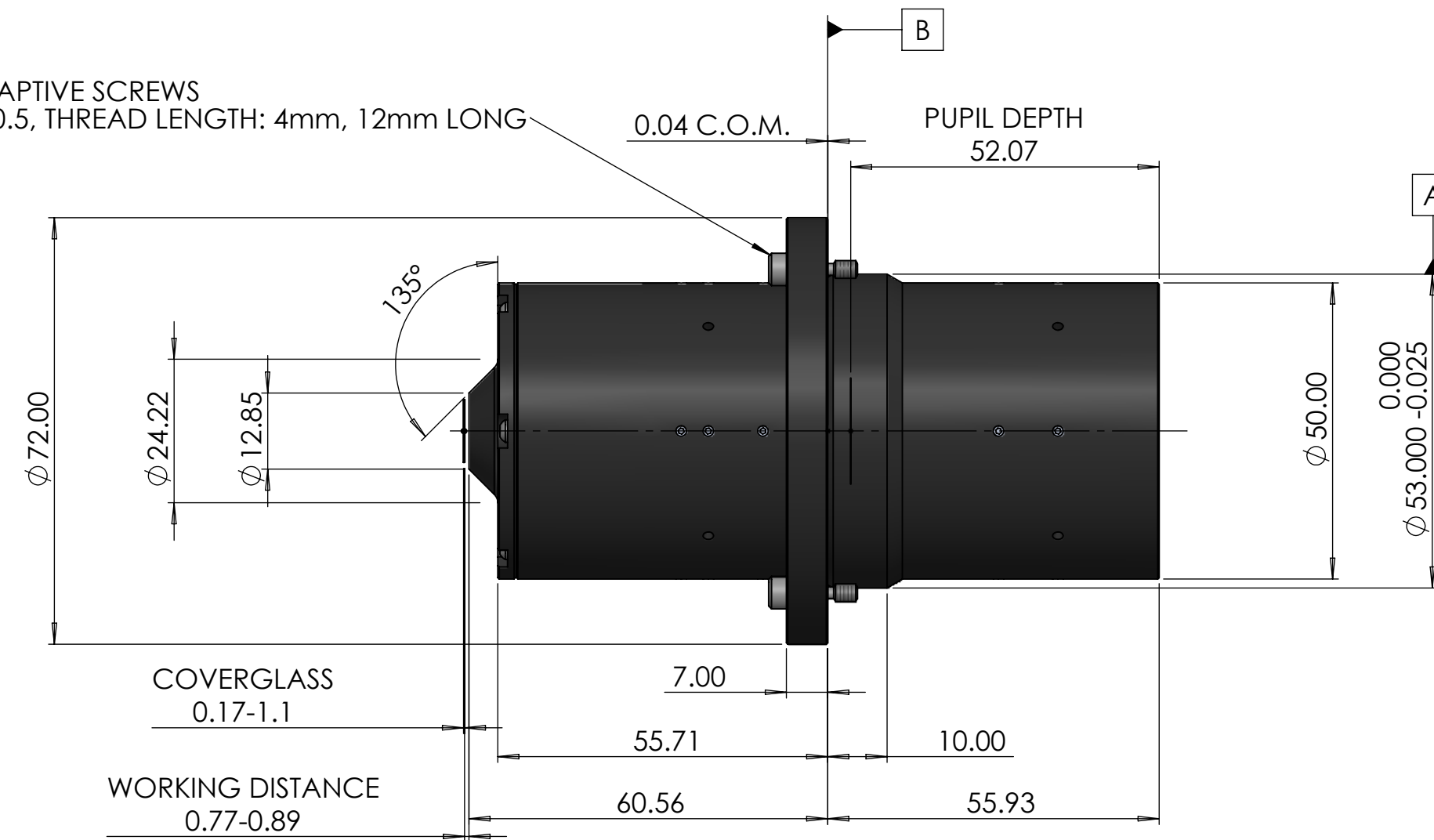


| REV. | DESCRIPTION | DATE | APPROVED |
|------|-------------|-----------|----------|
| 1 | RELEASE | 1/15/2024 | JW |



3X M3x0.5 ∇ THRU
120° APART
 ϕ 63.00 B.C.

3X CAPTIVE SCREWS
M3X0.5, THREAD LENGTH: 4mm, 12mm LONG



XPLAN 0.75NA OBJECTIVE
MAX FOV: 1.47mm
FOCAL LENGTH: 12.12mm
MASS: 670g
CORRECTED WAVELENGTHS: 438-790nm
MAX DISTORTION: 0.2% WHEN PAIRED WITH XPLAN TUBE LENS
TRANSMISSION: >80.8% @633nm
W.D. & C.G.: SEE COVERGLASS TABLE
INQUIRE WITH SALES CONTACT FOR CUSTOMIZATION

| COVERGLASS THICKNESS (mm) | WORKING DISTANCE (mm) |
|---------------------------|-----------------------|
| 0.17 | 0.77 |
| 0.3 | 0.79 |
| 0.5 | 0.81 |
| 0.7 | 0.83 |
| 0.9 | 0.85 |
| 1.1 | 0.89 |

FOR INFORMATION ONLY

UNLESS OTHERWISE SPECIFIED
DIMENSIONS ARE IN MILLIMETERS
TOLERANCES ARE:
FILLET RADIUS: 0.5 MAX
BREAK SHARP EDGES: 0.13 MAX
X. ±0.8 1.6/ MAX
X.X ±0.25
X.XX ±0.13 ANGLES ± 1°
INTERPRET DIMENSIONS AND
TOLERANCES PER ASME Y14.5M-2009
THIRD ANGLE PROJECTION

| | | | | |
|------------|-------------------|------------|---|-----------------|
| APPROVALS | | DATE | THIS DOCUMENT CONTAINS PROPRIETARY INFORMATION OF IDEX H&S AND IS TENDERED SUBJECT TO THE CONDITIONS THAT THE INFORMATION (A) BE RETAINED IN CONFIDENCE, (B) NOT BE REPRODUCED OR COPIED IN WHOLE OR PART, (C) NOT BE LEASED TO A THIRD PARTY, (D) NOT BE USED OR INCORPORATED IN ANY PRODUCT, EXCEPT UNDER EXPRESS WRITTEN AGREEMENT WITH IDEX H&S. | |
| DRAWN | Williamson, Jesse | 04/17/2024 | INFORMATION CONTAINED HEREIN IS CLASSIFIED AS UNDER EXPORT ADMINISTRATION REGULATIONS (15 CFR 730.774) ISSUED BY U.S. DEPARTMENT OF COMMERCE. AN EXPORT LICENSE ISSUED BY U.S. DEPARTMENT OF COMMERCE OR EAR EXCEPTION MAY BE REQUIRED PRIOR TO EXPORT OR TRANSFER OF THIS INFORMATION TO CERTAIN PARTIES OR END-USERS DIVERSION, CONTRARY TO U.S. LAW IS PROHIBITED. | |
| CHECKED | -- | -- | | |
| PROJ. ENG. | -- | -- | DESCRIPTION OBJECTIVE, 0.75NA, OUTLINE | |
| MFG ENG. | -- | -- | SIZE DWG. NO. C 065600 OUTLINE | REV 1 |
| SCALE: 1:1 | | PROJ. NO. | SHEET 1 OF 1 | |