

Intuitive™ Torque Limiting Fitting

Product Data Sheet



Finger Tight
Universal Fitting



Integrated with Custom
Tubing Assemblies



True
Bioinertness



Use Up
to 60°C



High
Reusability

Intuitive™ is a patented torque limiting true “Finger Tight” fitting for low pressure tubing assemblies. The torque limiting feature provides a haptic “click” feedback when it reaches the optimum torque, assuring a perfect connection every time. This universal fitting is used with 1/16” and 1/8” OD tubing and works with Flanged, Flangeless, and Super Flangeless connection systems. With a high reusability factor of about 80 “clicks,” this fitting ensures connection flexibility.



Part Number

Part Description

LP-100	1/4-28 Intuitive Nut 1/16
LP-200	1/4-28 Intuitive Nut 1/8

Product Specifications

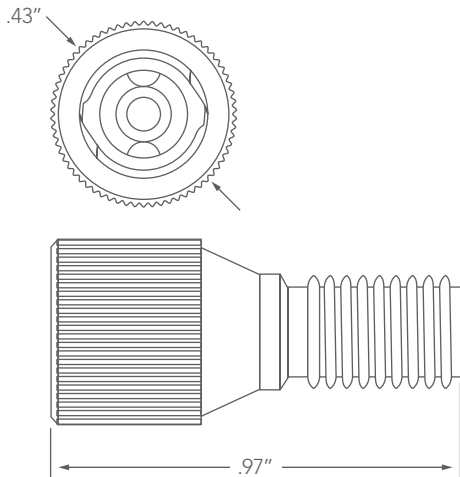
Description

Fitting Type	1/4-28 Torque Limiting PEEK™ Fitting
Installation Method	Finger-tighten until the first “click” feedback is received
Materials	PEEK
Maximum Use Temperature	60°C
Tube Material Compatibility	PEEK, FEP, PTFE, Stainless Steel, PFA, HPFA, ETFE
Max Pressure	LP-100: 500 psi; LP-200: 300 psi

NOTE: The performance specifications apply to use with appropriately designed receiving ports under optimal conditions, using water for the testing process. If different conditions are used, the expected pressure threshold will be different.

Dimensional Drawing

Dimensions in inches, for reference only.



Connections System Compatibility

Tube OD (in)	Super Flangeless	Flangeless	Flanged
1/16	✓	✓	✓
1/8	✓	✗	✓

Regulatory Compliance Information

This product is compliant with current RoHS & REACH regulations.

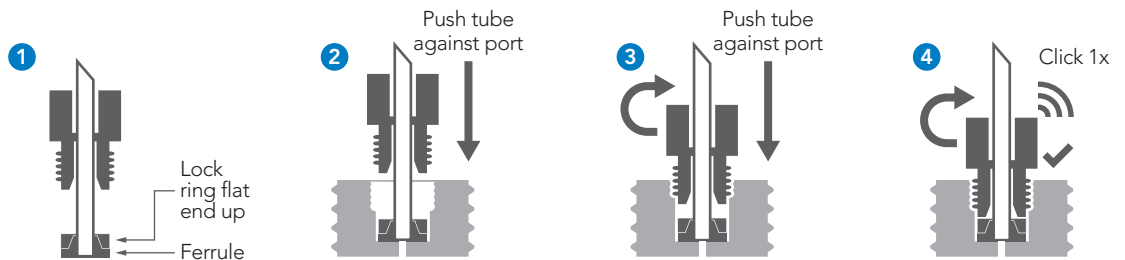
Country of Origin

Manufactured & Assembled in USA.

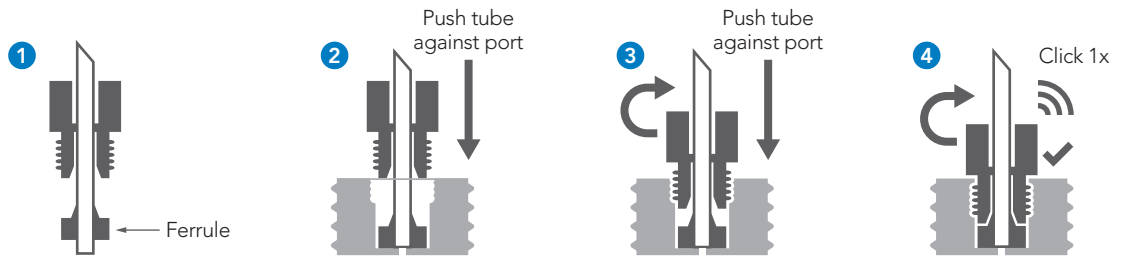
Installation Instructions

For each of the connections system, please follow the directions from **left to right**.

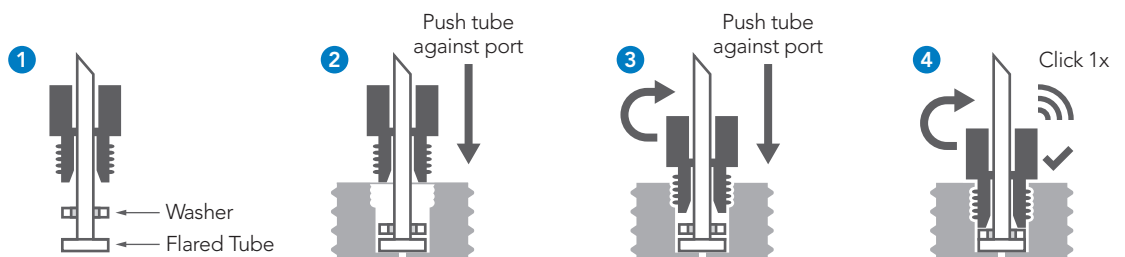
Super Flangeless™



Flangeless



Flanged



For ordering, technical support, and contact information please visit www.idex-hs.com