

# BIOTIGHT®

## Low Pressure, Press Fit Fitting System

### Description

Bio-Inert, Low pressure, press-fit ferrule and lock ring combination fitting for 1/16" and 1/8" OD tubing.

### Related Parts:

- LP-062, BioTight Ferrule 1/16"
- LP-125, BioTight Ferrule 1/8"
- LP-336, BioTight Universal Fitting

### Specifications:

#### Rated Working Pressure:

- LP-062: 200 psi
- LP-125: 100 psi

#### Working Port:

- 1/4-28 Flat Bottom

#### Compatible Tubing:

- LP-062, 0.062"  $\pm$  0.001" OD Rigid Polymer
- LP-125, 0.124"  $\pm$  0.003" OD Rigid Polymer

#### Manufacturing Materials Used:

- PEEK, black and natural colors

#### Torque Required:

- Light finger-tight (Less than 2 in-lbs)

#### Assembly Method:

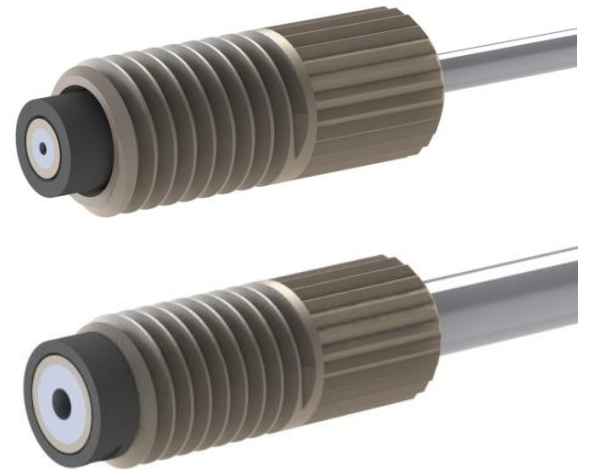
- Can be port swaged or manually swaged

#### Regulatory Compliance Information:

- As of the date of this publication, this product is compliant with current RoHS regulations

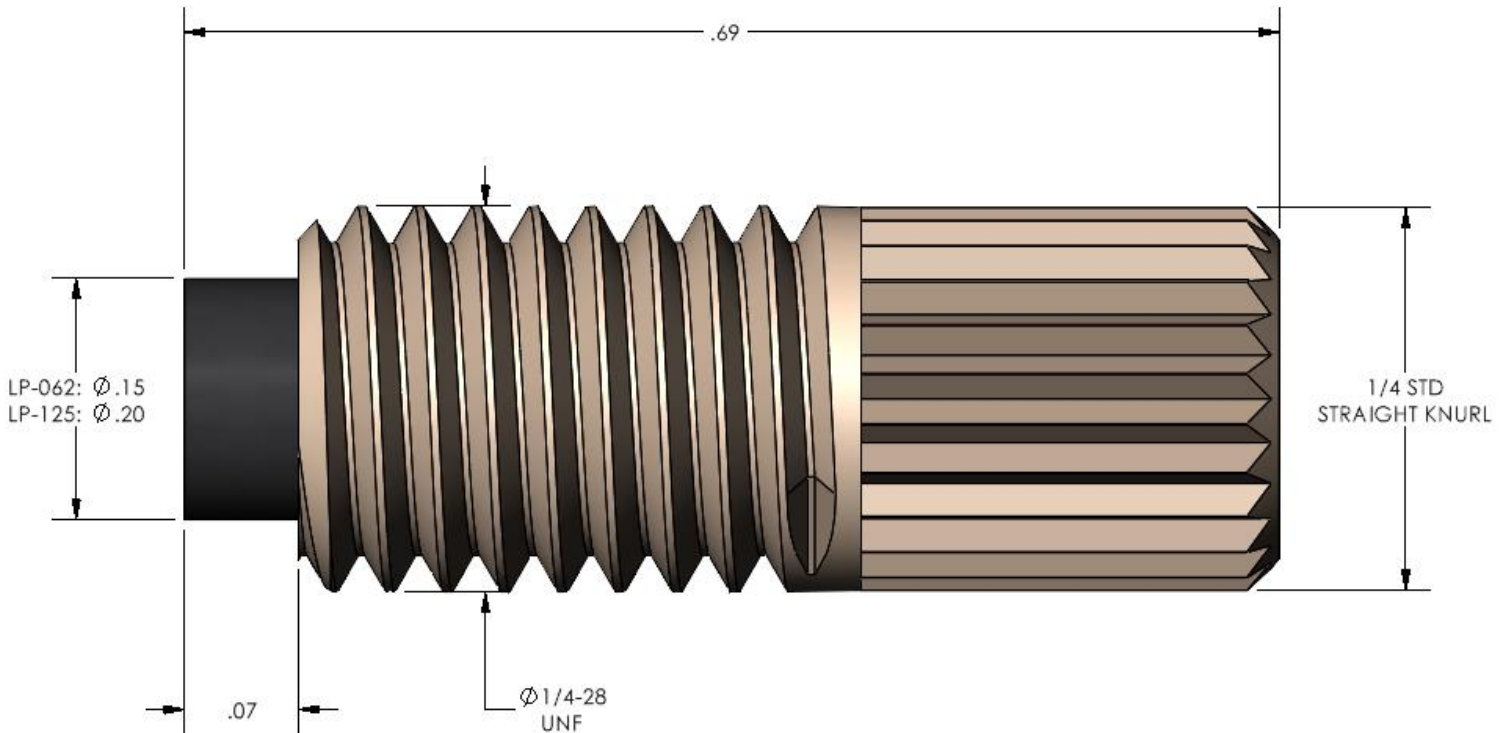
#### Harmonized Tariff Schedule (HTS) Code:

- 3917.40.0090



## Dimensional Drawings

Dimensions are in inches, for reference only.



### Revision Notes

Rev A

Release Document

Page 2 of 2  
23228C  
01/04/2024  
Patent Pending